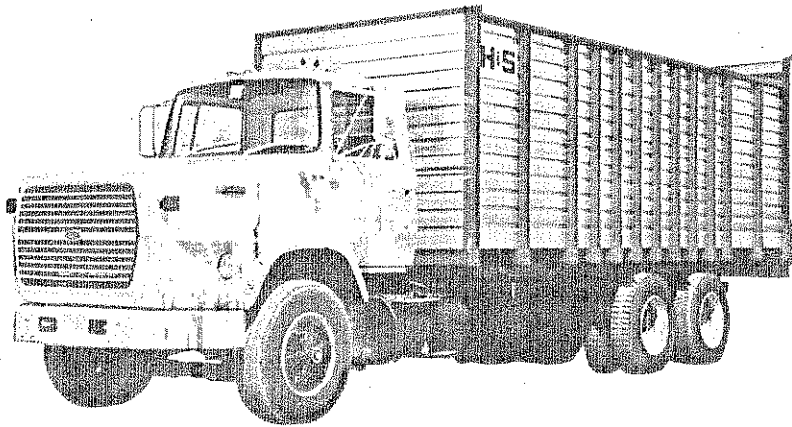


# H&S

## "WIDE BODY" POWER BOX

Truck Mount

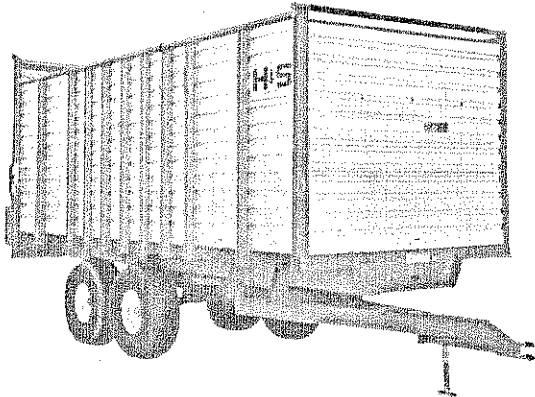


### WARNING

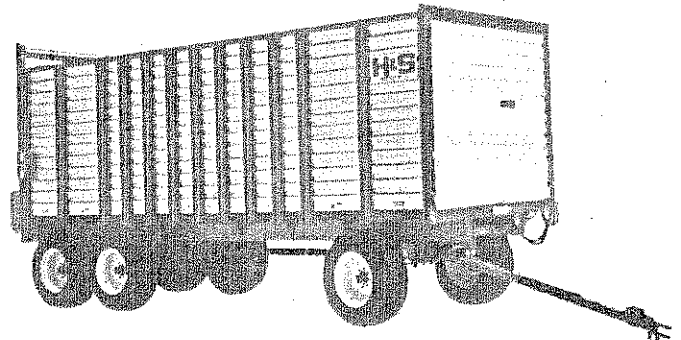
READ AND UNDERSTAND THIS MANUAL BEFORE OPERATING THIS EQUIPMENT.

UNSAFE OPERATION OR MAINTENANCE OF THIS EQUIPMENT CAN RESULT IN SERIOUS INJURY OR DEATH.

Chassis



Running Gear



## OPERATOR'S MANUAL AND PARTS LIST

3-9-01

Manufactured By

**H&S MANUFACTURING CO., INC.**

P.O. BOX 768 • (715) 387-3414 FAX (715) 384-5463

MARSHFIELD, WISCONSIN 54449

**H&S**  
**“WIDE BODY”**  
**REAR UNLOAD**  
**POWER BOX**  
**CONTENTS**

Warranty & Warranty Registration Card . . . . .	1-2
Dealer Pre-Delivery & Delivery Checklist . . . . .	3-4
Be Alert Symbol . . . . .	5
Explanation of Safety Signs . . . . .	6
Warning - Danger Decals . . . . .	7
Warning - Owner Must Read and Understand . . . . .	8
Before Operation - Adjustments . . . . .	9-10
Lubrication Guide . . . . .	11
Field Operation - Door Latches . . . . .	12
Decal Location & Identification . . . . .	13-14
Ordering Parts - About Improvements . . . . .	14
Figure 1 - Light Assembly - Wiring Code - Description . . . . .	15
Figure 2 - Rear Door - Apron Drive and Idler Assembly - Description . . . . .	16-17
Figure 3 - Box Assembly - Description . . . . .	18-19
Figure 4 - Chassis Components - Description . . . . .	20-21
Figure 5 - Tie-Down Kit - Running Gear Model . . . . .	22
SPECIFICATIONS . . . . .	INSIDE BACK COVER

# WARRANTY

## Mr. Owner: Before Operating—Read and Understand Operating and Safety Instructions

H&S Manufacturing Co., Inc. truly believes you have made a wise choice and a sound and lasting investment. Many years of development have made available these quality machines to assure you the performance and reliability you need. **We ask you to read the following agreement and warranty as this unit is subject to this warranty and agreement and no other.**

### THE H&S WARRANTY

H&S Manufacturing Co., Inc. warrants this unit to be free from breakage or malfunctions due to defects in material and or workmanship for a period of one year from date of original sale on parts and limited labor, two years parts. Should such breakage or malfunction occur within warranty period the liability of H&S, its employees, agents, authorized distributors, and dealers (Hereinafter collectively referred to as sellers) is hereby expressly limited to repairing or, at its option, replacing free of charge at its factory, any such defective part or parts. Sellers liability is further expressly limited with respect to components manufactured by others, such as universal joints, bearings, detachable link and roller chains, tires, belts or trade accessories, to the extent of such warranties as are extended thereon to sellers by these manufacturers.

**THIS WARRANTY IS IN LIEU OF ALL OTHER WARRANTIES, EXPRESSED OR IMPLIED, INCLUDING BUT NOT LIMITED TO WARRANTIES OF MERCHANTABILITY OR APPLICABLE FOR ANY PARTICULAR PURPOSE, AND THE OBLIGATION AND LIABILITY OF SELLERS UNDER THIS WARRANTY, DOES NOT EXTEND TO LOSS OF CROPS, LOSS BECAUSE OF DELAY IN HARVESTING OR ANY EXPENSE OR LOSS INCURRED FOR LABOR, SUPPLIES, SUBSTITUTE MACHINERY OR RENTAL MACHINERY, TRANSPORTATION OR OTHER CHARGES, OR ANY OTHER INDIRECT OR CONSEQUENTIAL LOSS.**

H&S Mfg. Co., Inc. reserves the right to make changes in design and components or material or to utilize available materials which it deems satisfactory, in order to improve its products. Also H&S reserves the right to make changes in the construction or design of any parts without any incurring obligations to install these improvements or changes on previously delivered units.

This warranty shall be void if any part or parts not manufactured or supplied by H&S are used either in servicing and maintaining the unit, and sellers obligation to repair or replace parts are then voided. This warranty shall be void if in the judgement of H&S, repairs are made in such a manner to affect this unit in a materially adverse manner or if this unit is operated unsafely or while in a state of disrepair.

The terms and conditions of this warranty cannot be altered, modified, or waived by any seller without the expressed, written consent of an officer of H&S Mfg. Co., Inc.

### NOTICE

H&S Manufacturing Co., Inc. disclaims any liability for the operation of the equipment with the safety guards removed or modified. The nature of this product requires that it be operated in a safe way only, and in good repair by qualified persons. Each purchaser, through the process of purchasing this equipment, agrees with H&S Manufacturing Co., Inc. to operate it in a safe manner and in accordance with applicable state and federal laws and agrees to indemnify and hold harmless H&S Manufacturing Co., Inc. from any loss to any person or persons caused by purchaser's failure to do so. Each purchaser further agrees to bring to the attention this notice to each subsequent purchaser, and to obtain his agreement thereto as a condition of resale or transfer.

### IMPORTANT

**TO MAKE THIS WARRANTY EFFECTIVE, THE OWNERS WARRANTY REGISTRATION FURNISHED WITH EACH MACHINE MUST BE FILLED OUT AND SENT TO H&S MANUFACTURING CO., INC. IF PURCHASER DOES NOT ACCEPT THIS WARRANTY AND AGREEMENT, HE MAY RESCIND THE SALE BY NOTIFYING ANY OF THE SELLERS IN WRITING OF THAT FACT WITHIN TEN DAYS FROM DATE OF SALE AND/OR PRIOR TO ANY USE OF THE EQUIPMENT WITHIN THIS 10 DAYS.**

2/97

### WARRANTY REGISTRATION

Date of Purchase \_\_\_\_\_

Purchaser \_\_\_\_\_ Address \_\_\_\_\_

City \_\_\_\_\_ State \_\_\_\_\_ Zip \_\_\_\_\_

Product \_\_\_\_\_ Model # \_\_\_\_\_ Serial # \_\_\_\_\_

Dealer \_\_\_\_\_ Address \_\_\_\_\_

City \_\_\_\_\_ State \_\_\_\_\_ Zip \_\_\_\_\_

\_\_\_\_\_  
Signature of original buyer

**FILL OUT AND MAIL  
IMMEDIATELY TO MAKE  
WARRANTY EFFECTIVE**



**IMPORTANT!**

Tear on dotted line, provide the information requested on the card. The H&S Warranty is valid **“only”** after this card is received and recorded at H&S Mfg. Co. Mail at once. No postage is required in the U.S.A.

This Is Your Warranty Card  
Please Fill Out  
And Mail Immediately



NO POSTAGE  
NECESSARY  
IF MAILED  
IN THE  
UNITED STATES

**BUSINESS REPLY MAIL**

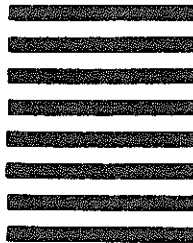
FIRST CLASS MAIL Permit No. 195 Marshfield, WI 54449

POSTAGE WILL BE PAID BY ADDRESSEE

H&S Manufacturing Co., Inc.

PO Box 768

Marshfield WI 54449-9963



**AFTER COMPLETION, DEALER SHOULD REMOVE AND RETAIN FOR RECORDS**

**H&S  
DEALER PRE-DELIVERY CHECK LIST**

After the Power Box has been completely set-up, check to be certain it is in correct running order before delivering to the customer. The following is a list of points to inspect. Check off each item as you have made the proper adjustments and found the item operating satisfactorily.

- All Shields and Guards are in place and fastened.
- All Grease Fittings have been lubricated.  
See lubrication guide in this manual.
- All Mechanisms are operating trouble free.
- All Roller Chains are at proper tension.
- Apron Chains are adjusted properly.
- All Bolts and Fasteners are tight.
- All Decals are in place and legible.

(Dealer's Name)	Model Number
	Serial Number
(Signature of Pre-Delivery Inspector)	(Inspection Date)

**DEALER DELIVERY CHECK LIST**

This check list that follows is an important reminder of valuable information that should be passed on to the customer at the time this Power Box is delivered.

Check off each item as you explain it to the customer.

This pre-delivery check list, when properly filled out and signed assures the customer that the pre-delivery service was satisfactorily performed.

- Explain to the customer that the pre-delivery inspection was made.
- Explain to the customer all the safety precautions they must exercise when operating this unit.
- Explain recommended loads for different types of materials.
- Explain to customer that regular lubrication is required for proper operation and long life of machine. Show customer the lubrication section of Owner's Manual.
- Give the customer Owner's Manual and make sure he reads and understands all operating and service instructions.
- Record Serial Number on Page 14 of this Manual.
- Have customer sign a completed "Warranty Registration," and mail it promptly.

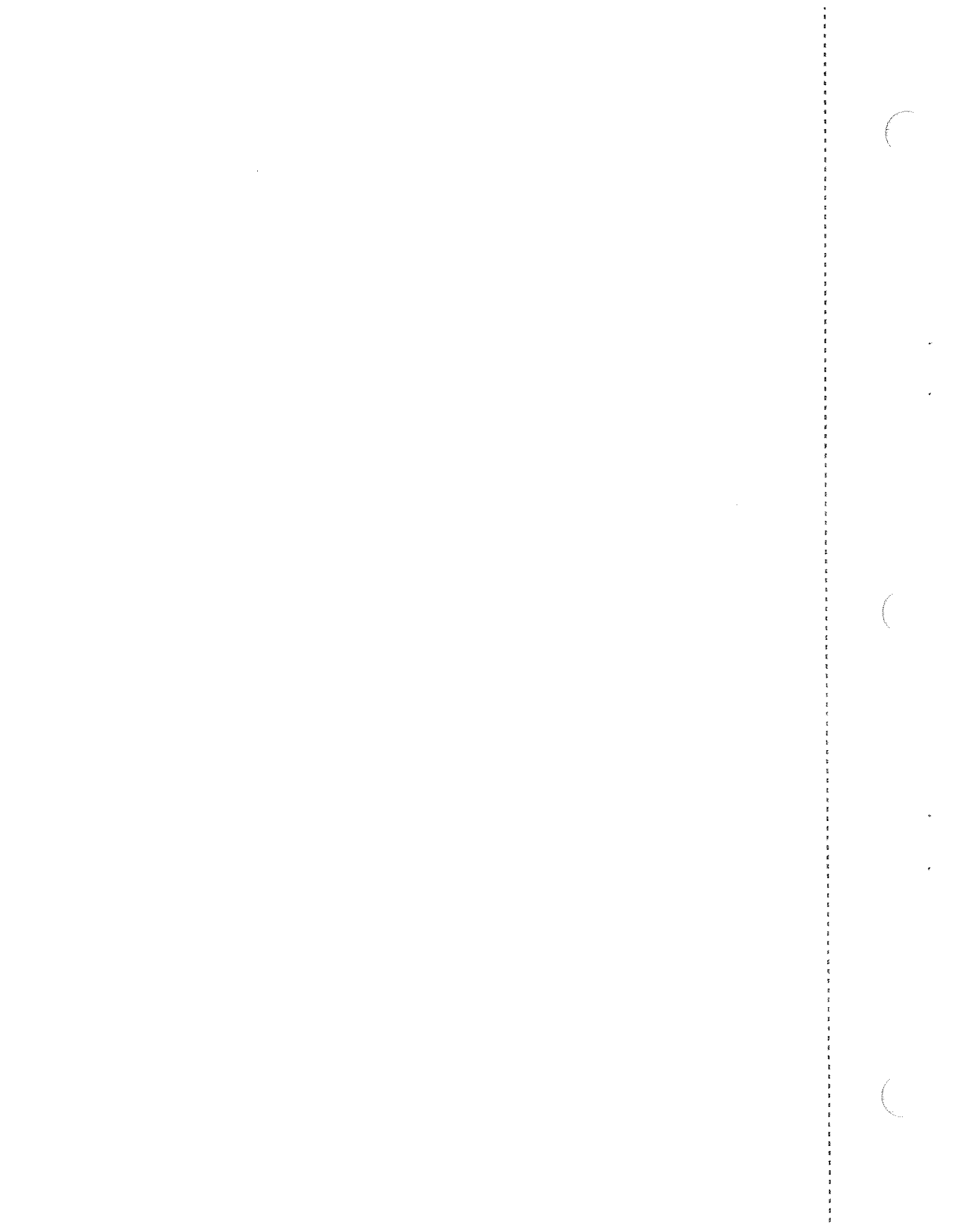
Date Delivered \_\_\_\_\_ Dealer's Name \_\_\_\_\_

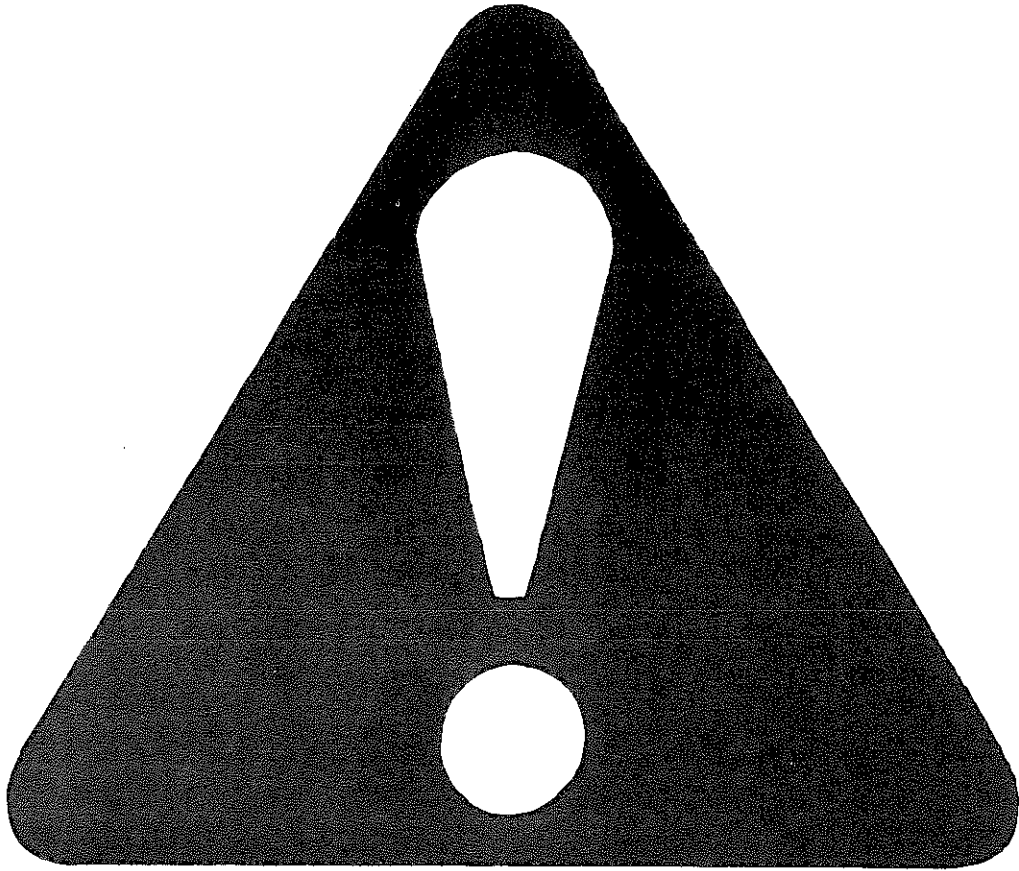
By \_\_\_\_\_

\_\_\_\_\_  
Signature of Original Buyer

Note: Warranty is not valid until warranty card is completed and returned to H&S Mfg. Co., Inc.

Remove Dealers File Copy At Perforation





**BE  
ALERT!**      **YOUR SAFETY  
IS INVOLVED.**

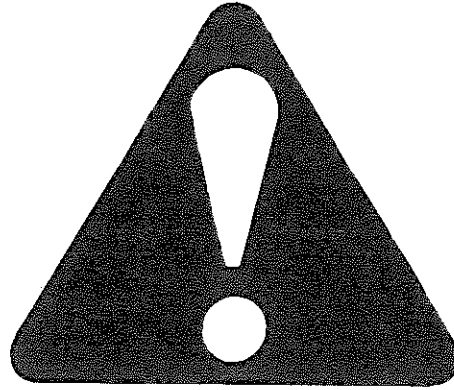
THIS SYMBOL IS USED THROUGHOUT THIS BOOK WHENEVER YOUR PERSONAL SAFETY IS INVOLVED. TAKE TIME TO BE CAREFUL. REMEMBER: THE CAREFUL OPERATOR IS THE BEST OPERATOR. MOST ACCIDENTS ARE CAUSED BY HUMAN ERROR. CERTAIN PRECAUTIONS MUST BE OBSERVED TO PREVENT THE POSSIBILITY OF INJURY OR DAMAGE.

**H&S MANUFACTURING CO. INC.**

## RECOGNIZE SAFETY INFORMATION

This is the safety-alert symbol. When you see this symbol on your machine or in this manual, be alert to the potential for personal injury.

Follow recommended precautions and safe operating practices.



## UNDERSTAND SIGNAL WORDS

A signal word—DANGER, WARNING, or CAUTION—is used with the safety-alert symbol. DANGER identifies the most serious hazards.

Safety signs with signal word DANGER or WARNING are typically near specific hazards.

General precautions are listed on CAUTION safety signs.



**WARNING**



**CAUTION**

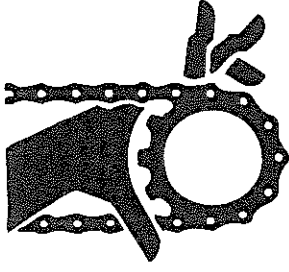


## FOLLOW SAFETY INSTRUCTIONS

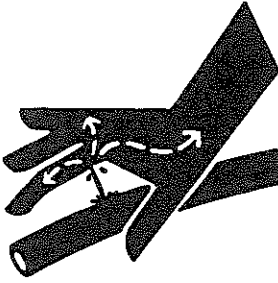
Carefully read all safety messages in this manual, and all safety signs on your machine. Follow all recommended precautions and safe operating procedures.

Keep signs in good condition. Immediately replace any missing or damaged signs.

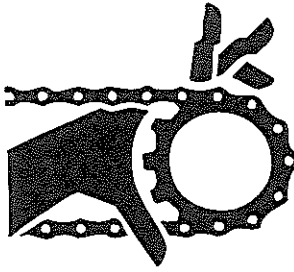


	<b>⚠ WARNING</b>
	<b>DO NOT OPERATE THIS EQUIPMENT IF THIS DECAL IS EXPOSED. REPLACE SAFETY SHIELDS.</b>

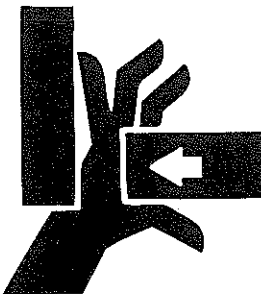
1494A

	<b>⚠ WARNING</b>
	<p style="text-align: center;"><b>DO NOT GO NEAR LEAKS</b></p> <ul style="list-style-type: none"> <li>• High pressure oil easily punctures skin causing serious injury, gangrene or death.</li> <li>• If injured, seek emergency medical help. Immediate surgery is required to remove oil.</li> <li>• Do not use finger or skin to check for leaks.</li> <li>• Lower load or relieve hydraulic pressure before loosening fittings.</li> </ul>

11599

	<b>⚠ WARNING</b>
	<b>DO NOT REMOVE SHIELDS MOVING PARTS INSIDE</b>

1494B

	<b>⚠ WARNING</b>
	<b>STAY CLEAR MOVING PARTS UNDER THIS AREA</b>

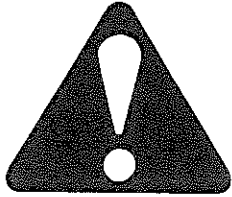
1494C

<b>⚠ WARNING!</b>

<b>KEEP CHILDREN AWAY AT ALL TIMES!</b>

2495

# H&S REAR UNLOAD "WIDE BODY" POWER BOX



## WARNING

### TO PREVENT SERIOUS INJURY OR DEATH

BEFORE YOU ATTEMPT TO OPERATE THIS EQUIPMENT, READ AND STUDY THE FOLLOWING INFORMATION. IN ADDITION, MAKE SURE THAT EVERY INDIVIDUAL WHO OPERATES OR WORKS WITH THIS EQUIPMENT, WHETHER FAMILY MEMBER OR EMPLOYEE, IS FAMILIAR WITH THESE SAFETY PRECAUTIONS.

KNOW HOW TO STOP UNLOADING MECHANISM BEFORE STARTING IT.

If the machine becomes clogged, disengage truck or tractor hydraulics, stop the truck or tractor engine, and allow all mechanisms to stop before cleaning or working on the machine.

**DO NOT** attempt to perform maintenance or repair with truck or tractor running and hydraulics hooked to the power source.

**DO NOT** step up on machine at any time.

**DO NOT** get off the tractor when box is in operation. Operator position is in the tractor seat. (Running Gear, Chassis Mount). **DO NOT** leave truck cab when box is in operation. (Truck Mount).

**DO NOT** ALLOW PERSONNEL OTHER THAN THE QUALIFIED OPERATOR NEAR THE MACHINE.

**DO NOT** allow minors to operate or be near the machine.

**STAY CLEAR** of rear of Power Box at all times.

**DO NOT** clean, adjust, or lubricate the machine when any part is in operation.

**BE SURE** the machine is clear of people, tools, and other objects before engaging hydraulics.

**NEVER** start power box until all guards and safety shields are secured in place.

**STAY CLEAR** of hydraulic lines, they may be under extreme pressure or heat.

Loose or floppy clothing should not be worn by the operator.

**CAUTION** – BEWARE OF LOW ELECTRICAL WIRES.

H&S Mfg. Co. always takes the operator and his safety into consideration and guards exposed moving parts for his protection. However, some areas cannot be guarded or shielded in order to assure proper operation. In addition, the operators manual and decals on the machine itself warn you of further danger and should be read and observed closely.

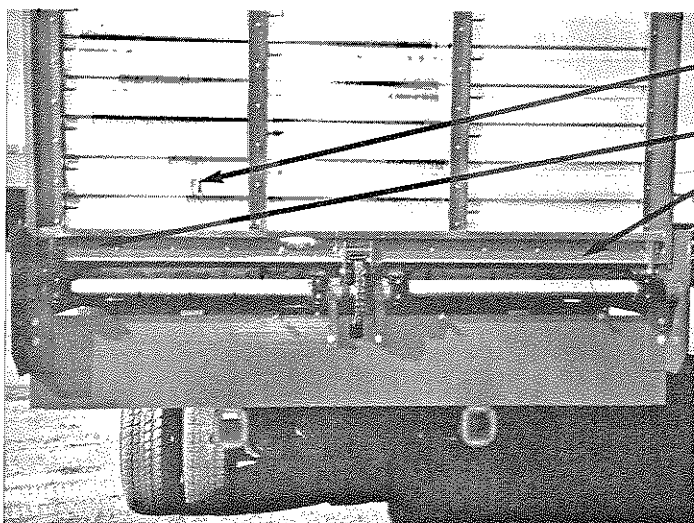
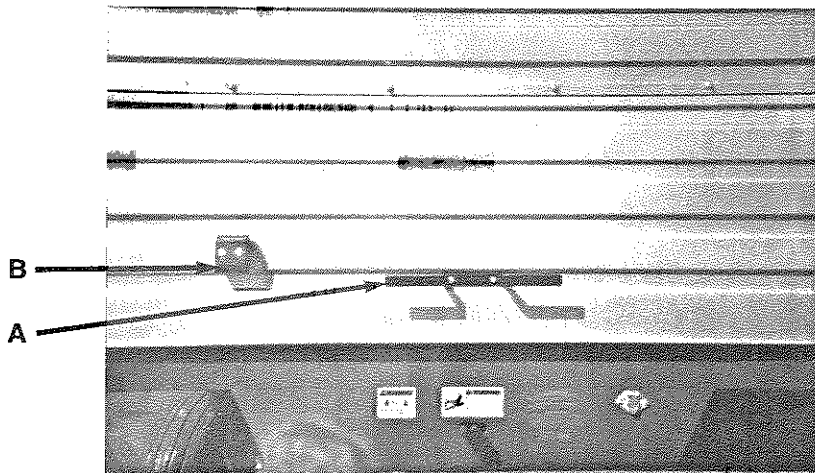
### Study The Above Safety Rules

## ATTENTION - BE ALERT - YOUR SAFETY IS INVOLVED

# BEFORE OPERATION

Check entire unit carefully before first operation. Tighten bolts, set screws, and chains which might have come loose in handling. Check wheel bolts upon delivery, and periodically thereafter. Wheel bolt should be tightened to 450 ft./lbs. of torque. This torque is needed for the hub to carry its' rated capacity. (Chassis Mount) Check the tires, and inflate to the recommended pressures. (Chassis and Wagon Mount) Lubricate as explained in the lubrication guide. Fasten the hitch to the draw bar **with a hitch pin that can not bounce out!** Use a 1-1/4" diameter hitch pin to pull the unit. (Chassis Mount) Run the unloading mechanism for several minutes. This will serve as a break-in and as a check that all parts are assembled and lubricated properly. Successful operation will be achieved by periodic adjustments and experience of the operator. Make sure to read and understand the main feeder apron adjustments.

Located on the front of the Power Box is a convenient hanger (Item A) for the hydraulic hoses. When the Power Box is not being unloaded, hoses should be securely wrapped around this holder, with ends inserted into Block Holder (Item B). (Running Gear and Chassis Mount Only).



Mounting Socket For SMV Emblem (A)

Red Reflective Tape (B)

WHEN TRANSPORTING ON THE HIGHWAY OR ROADS, PLACE SMV SIGN IN SOCKET PROVIDED AND REGULARLY CLEAN THE REFLECTIVE TAPE AT THE REAR OF THE POWER BOX.

NOTE: Obey all state and local laws, concerning towed equipment, on public roads.

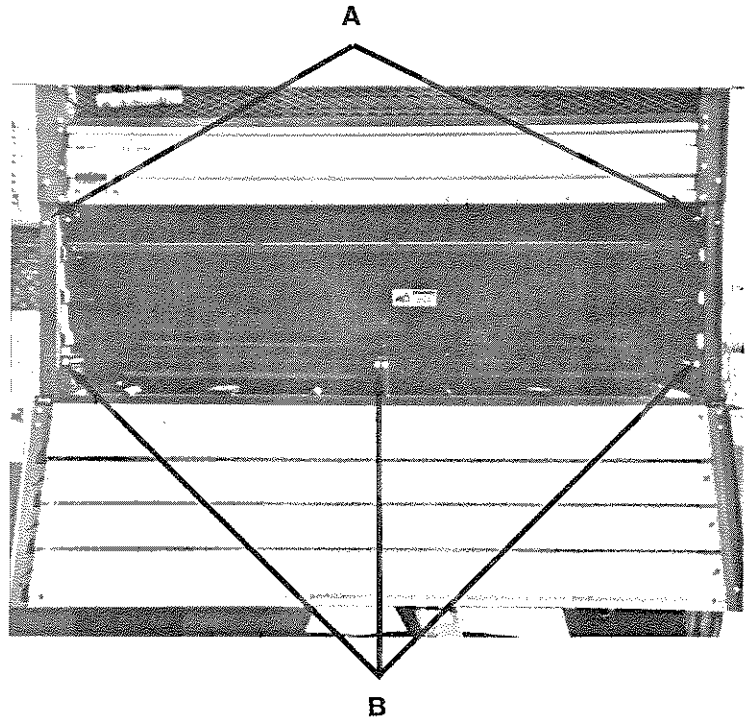
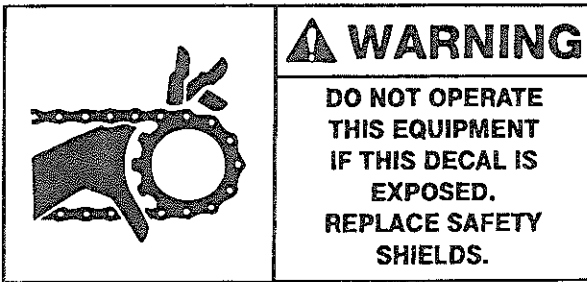
For light information (See Page 15).

(Shield Removed for Clarity)

## MAIN FEEDER APRON ADJUSTMENT

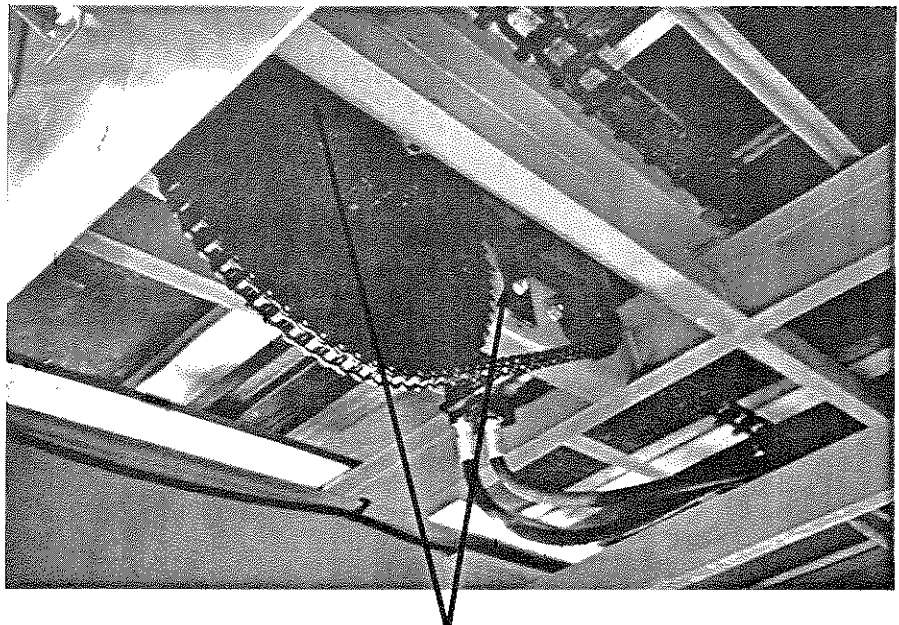
Main feeder apron adjustment bolts are located behind the convenient access door located in the bottom portion of front gate. Remove handle nuts (A) to open access panel and swing door downward. (Chassis or Running Gear Mount Only). On truck mount, remove 4 handle nuts and remove access panel.

All apron chains must be taken up evenly before you use the power box. Check again after the first few loads. The Main Feeder Aprons should be at proper tension at all times. Tighten the full threaded bolts (B) to adjust aprons. Aprons are properly adjusted when two Cross Slats, or about three feet of chain lift off the Chain Return Slides from the front of the box. Maintain this tension when operating the box.



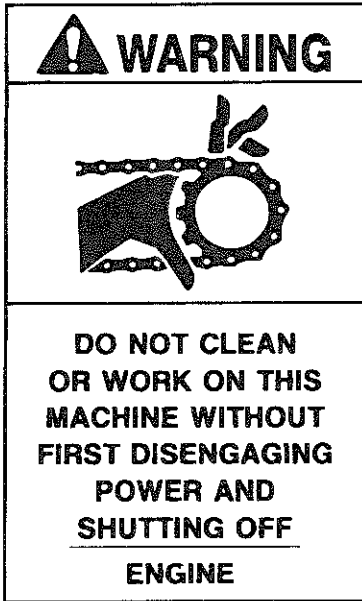
### PRIMARY & SECONDARY APRON DRIVE CHAINS (#60 & #80)

Check both chains regularly. To adjust, loosen the nut on the tightener, slide tightener against the chain until there is approximately 1/8" deflection in the center bottom of the chain.



TIGHTENERS

# LUBRICATION GUIDE



The operator should become familiar with all lubrication points and establish a systematic routine to insure complete and quick lubrication of the machine.

## DRIVE CHAINS

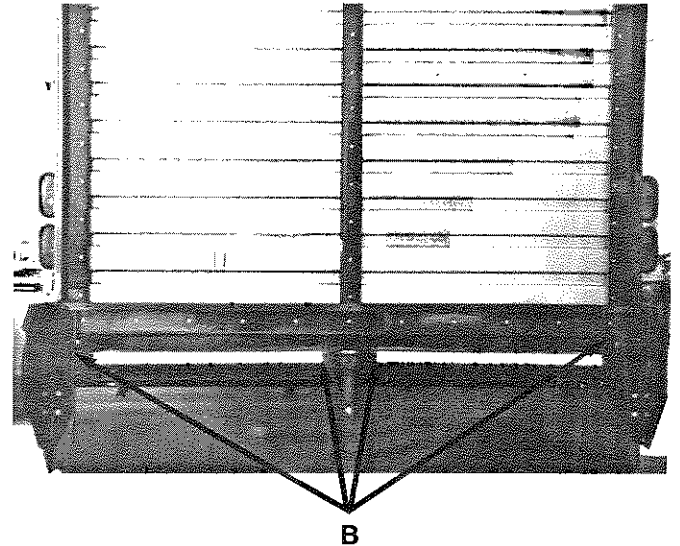
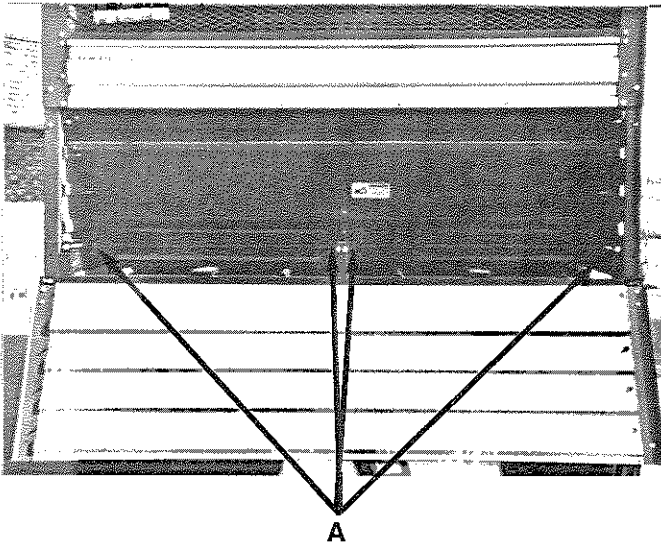
Lubricate the drive chains with a light machine oil. Keep chains aligned with sprockets. This will lengthen the life of the sprockets and chain. Lubricate chains often.

## GREASE ZERKS

There are nine (9) grease fittings on your new H&S "WIDE BODY" REAR UNLOAD POWER BOX. Grease daily during normal use and before and after storage. Use a good grade of high quality grease.

Listed below is location and quantity of zerks.

- A. (4) one on each main apron front idler sprocket.
- B. (4) one on left hand, (2) center, and (1) one right hand rear main apron drive shaft brackets.
- C. (1) one on drive reduction sprocket.
- D. (2) one on each tandem pivot (chassis mount)

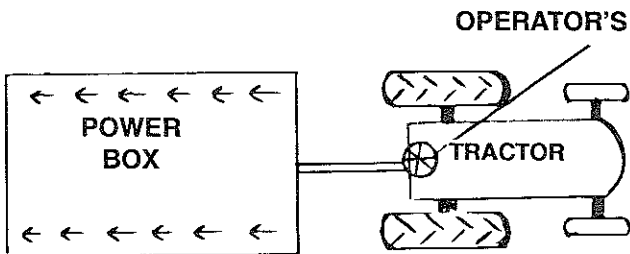


# FIELD OPERATION OF "WIDE BODY" REAR UNLOAD POWER BOX

After you have idled your H&S "Wide Body" Rear Unload Power Box for several minutes, and checked it over thoroughly as suggested in earlier recommendations, and have properly adjusted and lubricated it, you are ready to place your Power Box into operation.

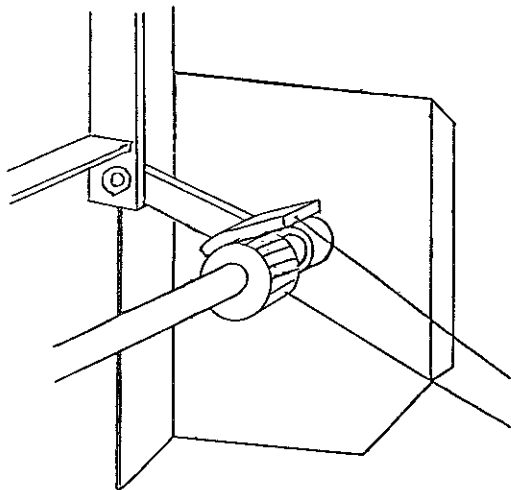
## UNLOADING

1. Park Power Box on level ground whenever possible during unloading.
2. \*Connect hydraulic hoses from Power Box to the tractor.\*
3. With operator in the truck or tractor seat, and all others well clear of Power Box, engage the hydraulics.  
**NOTE:** Rear unload operates in only one direction. \*If tractor hydraulic system stalls, check for obstruction, reverse the lever on the tractor or switch the hydraulic hoses at the ports on the tractor. If stalling persists, the problem may be insufficient tractor hydraulic pressure.\*



4. During unloading, move the Power Box forward to allow material to fall away from rear of box.
5. When box is empty, disengage hydraulics.
6. Check rear door to make sure it is securely latched.

**NOTE:** (*Italics between \* refers to use on Chassis or Running Gear Mount Models Only*)

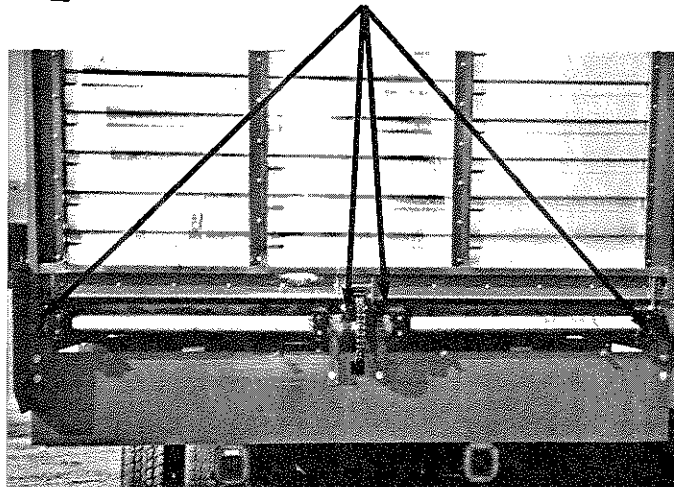


## REAR DOOR LATCHES

Located at the bottom left, center, and right hand side of the rear door are the door latches. These latches lock against knurled gears on rear drive shaft to hold door closed when loading Rear Unload Power Box. When hydraulics are activated and rear drive shaft turns, knurled gears flip latches open to allow rear door to swing free. Upon completion of unloading check rear door to insure that door latches are securely in place for next load.

## DOOR LATCHES

## KNURLED GEARS



(Shield Removed for Clarity)

# DECAL LOCATION

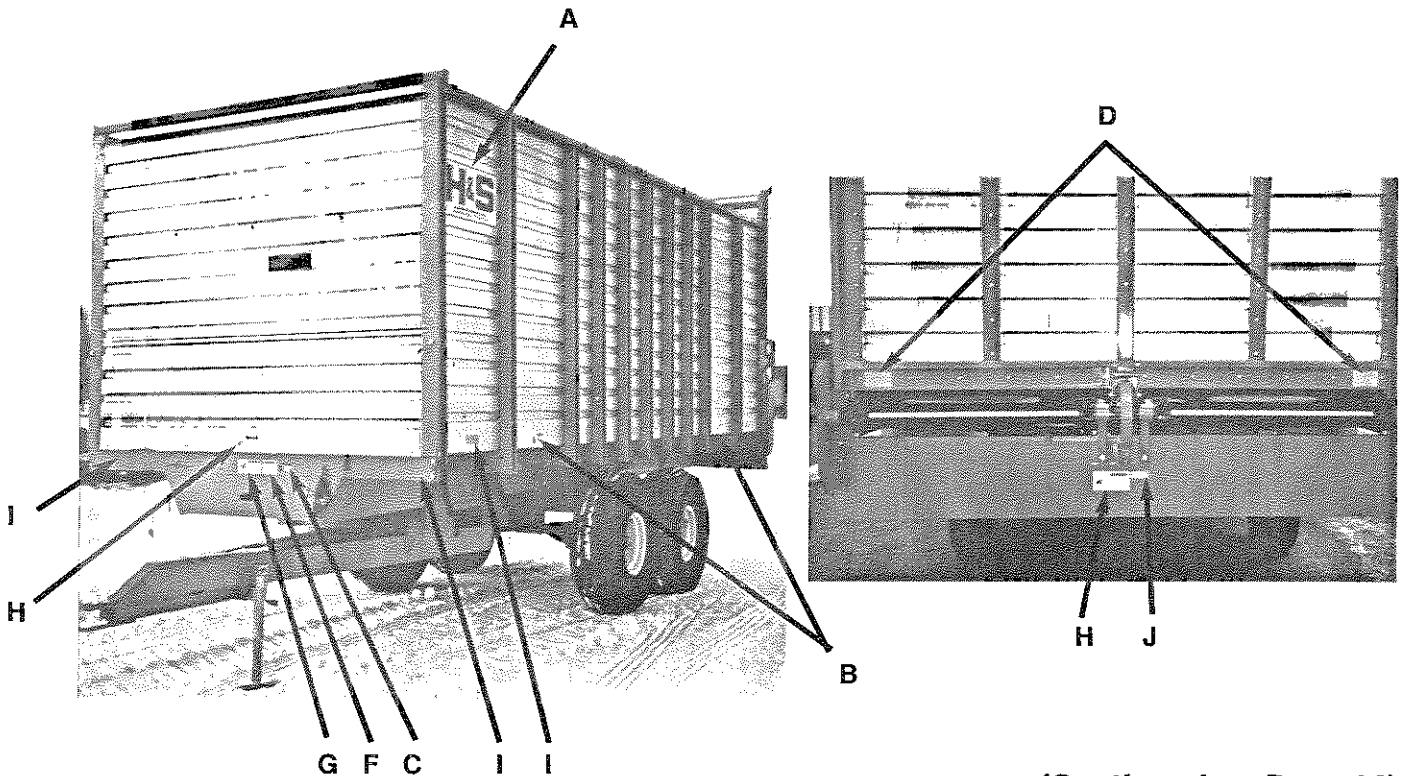
Your H&S "Wide Body" Rear Unload Power Box was manufactured with operator safety in mind. Located on the Power Box are various decals to aid in operation, and warn of danger or caution areas. Pay close attention to all the decals on your Power Box.



**DO NOT REMOVE ANY OF THESE DECALS. IF DECALS ARE LOST, DAMAGED, OR IF THE POWER BOX IS REPAINTED, REPLACE DECALS. REMEMBER: DECALS ARE FOR YOUR PROTECTION AND INFORMATION.**

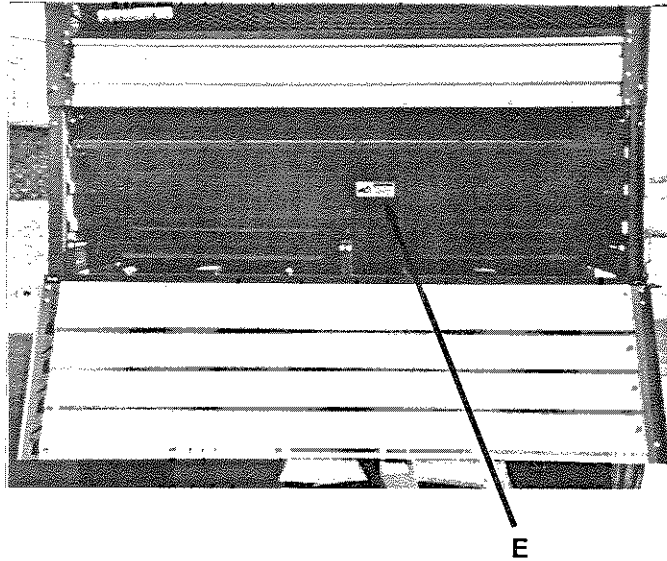
Listed below are the decals on your "Wide Body" Rear Unload Power Box. These decals may be ordered individually by part number or by ordering complete set.

ITEM	PART NO.	DESCRIPTION
A		(2) H&S Metal Sign (12"x24")
B	1494C	(4) Warning - Moving Parts Under
C		Model/Serial Number
D		Red Reflector Decal
E	1494A	Warning - Do Not Operate (Page 14)
F	2495	Warning - Keep Children Away
G	11599	Warning - Hydraulic Leaks
H	1494B	Warning - Do Not Remove Shields
I		Amber Reflector Decal
J	1787-I	Patent Pending
	41699-PB-WB	Complete Set of Decals
Paint - H&S Red	ZX21	Gallon
	ZX22	Quart
	ZX23	Pint



*(Continued on Page 14)*

## DECAL LOCATION (Continued)



---

## INSTRUCTIONS FOR ORDERING PARTS

All service parts should be ordered through your authorized H&S Dealer. He will be able to give you faster service if you will provide him with the following:

1. Model & Serial Number – Both are located on the front cross channel of box.
2. All reference to left or right apply to the machine as viewed from the rear.
3. Parts should not be ordered from illustration only. Please order by complete parts numbers.
4. If your dealer has to order parts - give shipping instructions:  
VIA truck - large pieces (please specify local truck lines)  
VIA United Parcel Service (include full address)

<b>H&amp;S Mfg. Co.</b>	
<b>MARSHFIELD, WIS.</b>	
<b>MOD. NO.</b>	<input type="text"/>
<b>SER. NO.</b>	<input type="text"/>

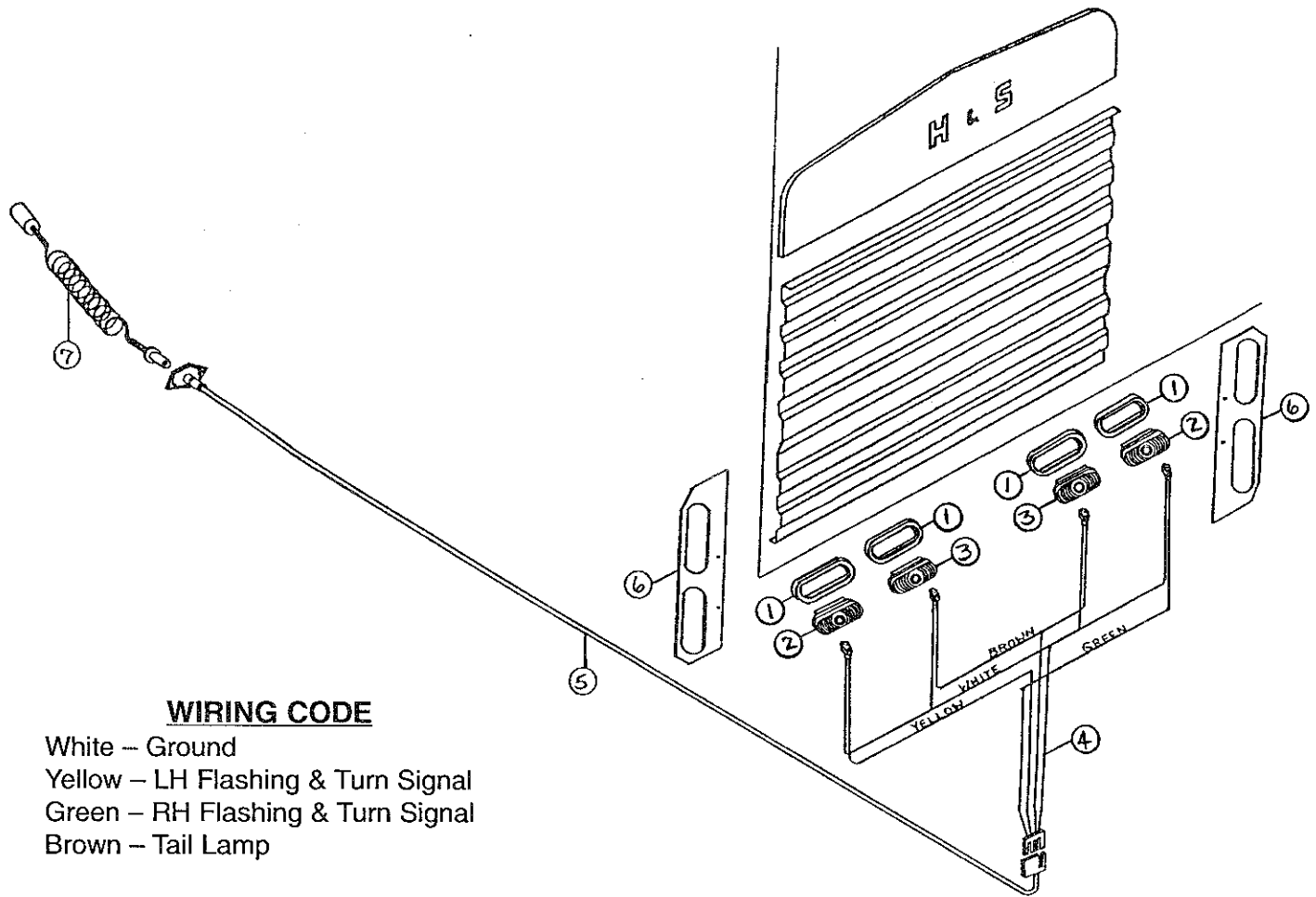
PLEASE RECORD NUMBERS FOR YOUR UNIT FOR QUICK REFERENCE

### ABOUT IMPROVEMENTS

H&S MFG. CO. IS CONTINUALLY STRIVING TO IMPROVE ITS' PRODUCTS.

We must therefore, reserve the right to make improvements or changes whenever it becomes practical to do so, without incurring any obligation to make changes or additions to the equipment previously sold.





**WIRING CODE**

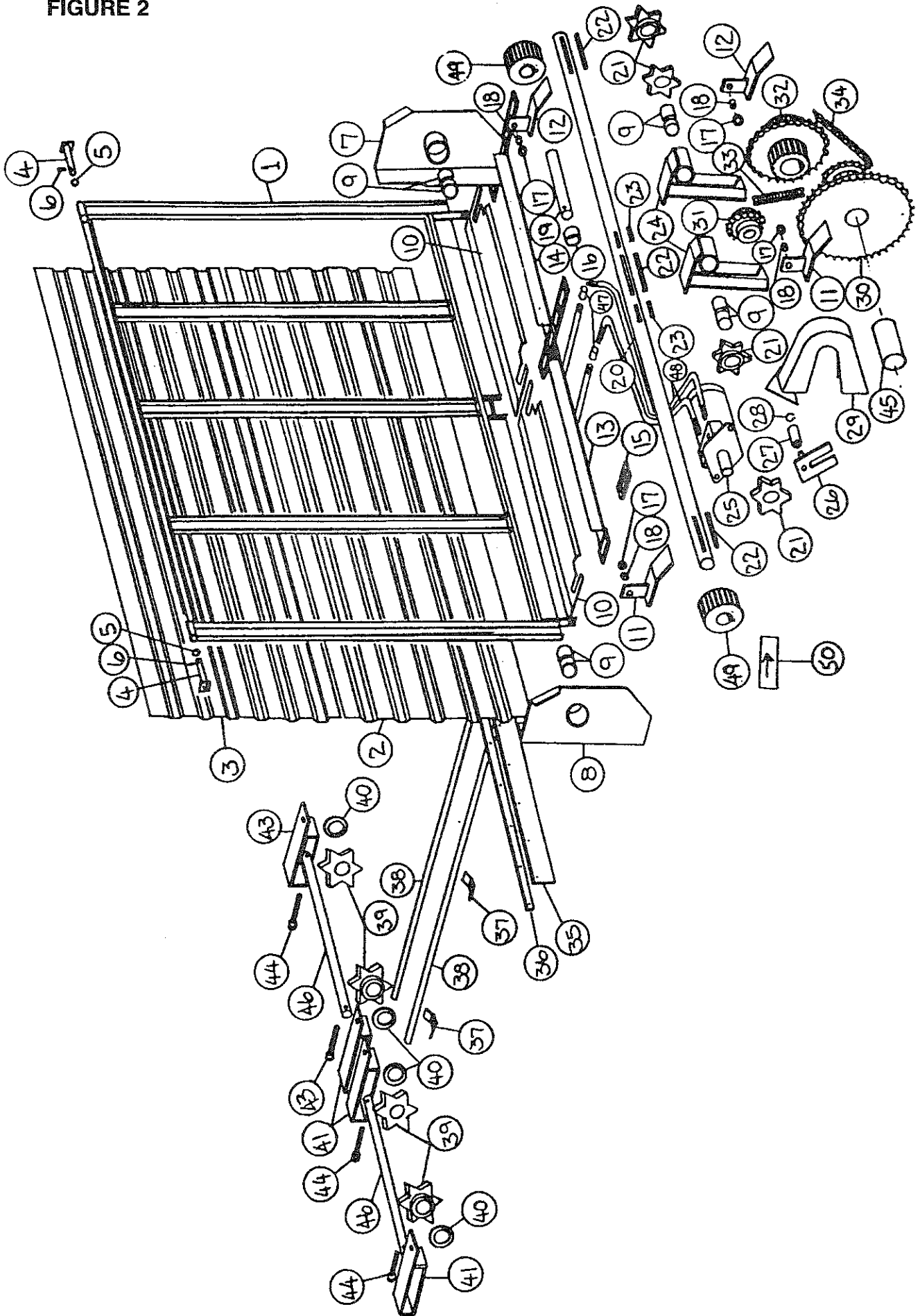
- White – Ground
- Yellow – LH Flashing & Turn Signal
- Green – RH Flashing & Turn Signal
- Brown – Tail Lamp

**FIGURE 1**  
**“WIDE BODY” REAR UNLOAD POWER BOX**  
**LIGHTING ASSEMBLY (Wagon and Chassis Mount)**

ITEM	PART NO.	DESCRIPTION
1.	S308	Rubber Light Mount
2.	S309	Amber Light
3.	S310	Red Light
4.	PB187	Light Harness
5.	PB109	18' Longitudinal Cord
	PB110	20' Longitudinal Cord
	PB158	22' Longitudinal Cord
6.	PB111	Taillight Brackets
7.	S317	Optional Tractor Cord
*	PB112	18' Complete Light Assembly Less Optional Tractor Cord
*	PB188	20' Complete Light Assembly Less Optional Tractor Cord
*	PB189	22' Complete Light Assembly Less Optional Tractor Cord

**NOTE:** \* (Means Not Shown)

FIGURE 2

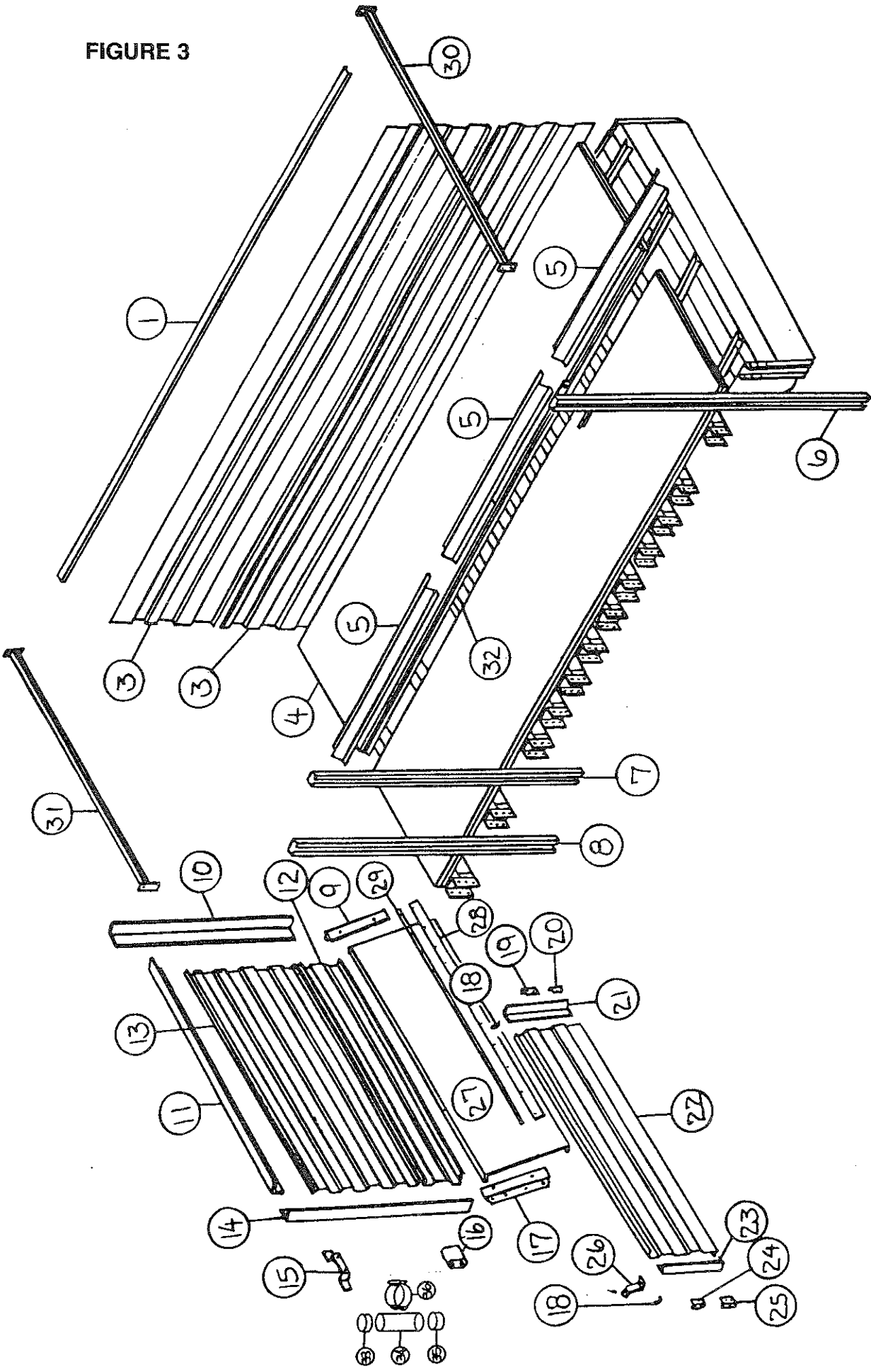


**FIGURE 2**  
**REAR DOOR - APRON - DRIVE AND IDLER ASSEMBLY**

ITEM	PART NO.	DESCRIPTION	ITEM	PART NO.	DESCRIPTION
1.	PB160	Back Door Frame Work	23.	PB87	Key 3/8" Square x 2"
2.	PB161	Back Door Bottom Steel	24.	PB183	Center Bearing Bracket
3.	PB161	Back Door Top Steel	25.	16SV150	Hydraulic Motor
4.	PB129	Hinge Pin	26.	L10R35	Chain Tightener Bracket (2)
5.	PB130	Collar	27.	23N238	Roller Chain Tightener (2)
6.	3G22	Expansion Pin 5/16" x 1-3/4"	28.	10R32	Snap Ring (2)
7.	PB163	RH Drive Shaft Mount	29.	PB168	Center Drive Shield
8.	PB164	LH Drive Shaft Mount	30.	PB169	Idler Sprocket 11T-70T
9.	S50	Drive Shaft Bushing	31.	PB170	Motor Sprocket 13T
10.	PB74	Drive Shaft Panel	32.	PB171	Drive Sprocket
11.	PB58	Latch Bracket LH	33.	PB172	#60 Chain 92 Pitch
12.	PB57	Latch Bracket RH	34.	PB195	#80 Chain (Heavy) 56 Pitch
13.	PB177	667XH Pintle Slat W/Att. Link	35.	PB154	Rubber Seal
*	S54	T-Rod Slat W/Att. Link	36.	PB155	Seal Strap
14.	PB165	667XH Complete Pintle Apron 22'	37.	23N67	Hose Bracket
*	PB178	667XH Complete Pintle Apron 20'	38.	PB173	Hydraulic Pipe 3/4"
*	PB179	T-Rod Complete Apron 20'	39.	S60	Idler Sprocket
*	PB180	667XH Complete Pintle Apron 18'	40.	S61	Idler Shaft Spacer
*	S59	T-Rod Complete Apron 18'	41.	S65	Idler Bracket
15.	PB181	667XH Pintle Connector Link	43.	S62	RH Idler Bracket
*	PB182	667XH Pintle Att. Link LH or RH	44.	A7	Idler Bolt
*	S56	T-Rod Link	45.	PB184	Bushing 1-1/4"ID x 1-1/2"OD x 2-1/4"
16.	PB176	Idler Shaft Spacer	46.	S63	Idler Shaft
17.	A34	Latch Washer	47.	PB174	Pipe Coupler 1/2" to 3/4"
18.	PB61	Latch Pivot	48.	16SV144	Hydraulic Hose 1/2" x 41"
19.	PB166	Idler Shaft	49.	PB175	Latch Sprocket
20.	PB167	Drive Shaft	50.	PB185	Check Valve - 3/4" (Chassis & Running Gear Models Only)
21.	S37	Apron Drive Shaft Sprocket			
22.	PB133	Key 3/8" Square x 4-3/8"			

**NOTE:** \* (Means Not Shown)

FIGURE 3



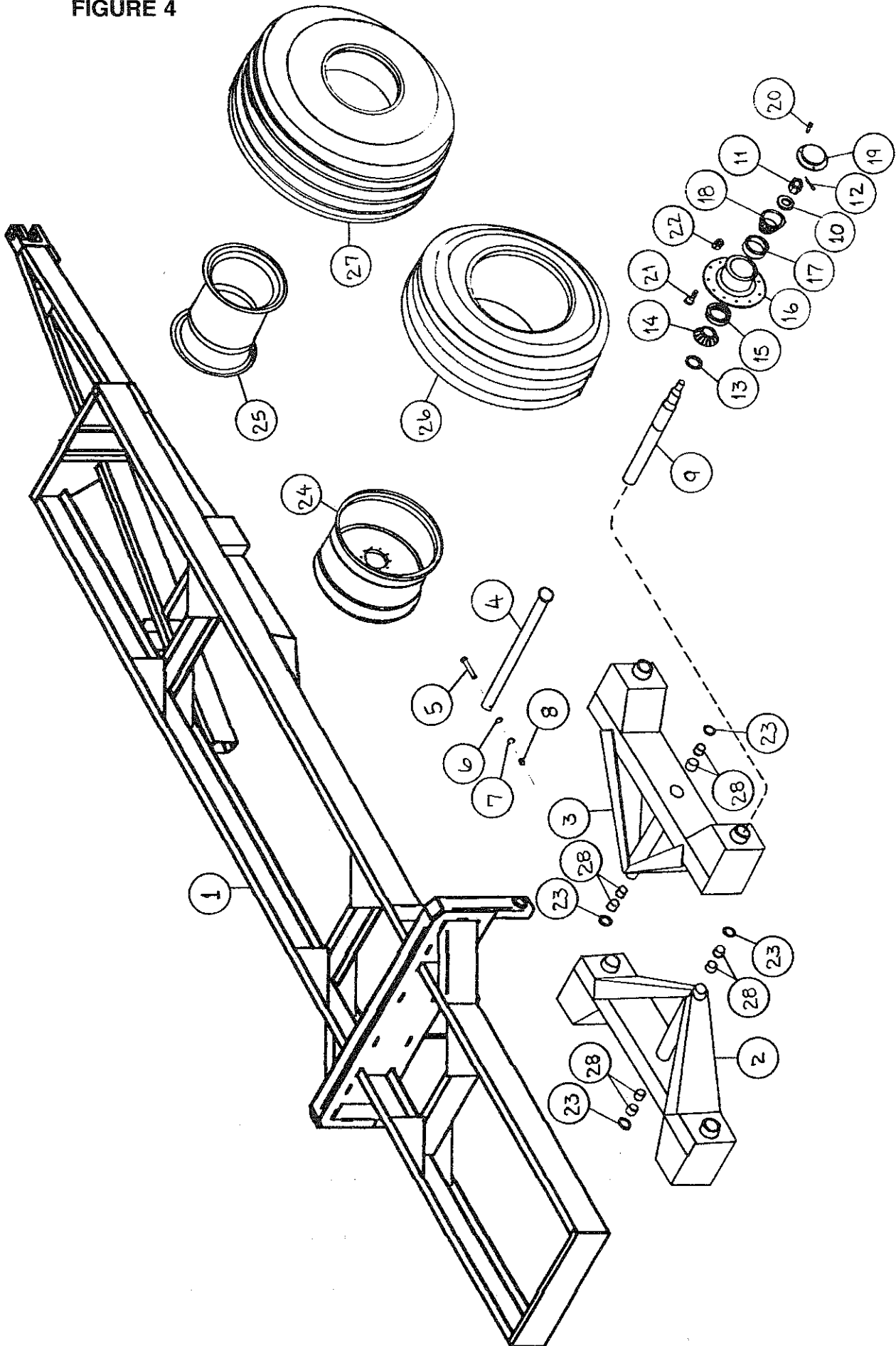
**FIGURE 3  
BOX ASSEMBLY**

<b>ITEM</b>	<b>PART NO.</b>	<b>DESCRIPTION</b>
1.	PB142	Top Side Channel 22'
*	PB143	Top Side Channel 20'
*	PB194	Top Side Channel 18'
3.	PB144	Side Steel 181-1/2" (4)-22'
*	PB144A	Side Steel 183" (4)-22'
*	S299PB	Side Steel 238-1/2" (4)-20'
*	S150PB	Side Steel 214-1/2" (4)-18'
4.	PB145	Poly Bonded Floor (2)-22'
*	PB145A	Poly Bonded Floor (2)-20'
*	PB145B	Poly Bonded Floor (2)-18'
5.	PB146	Center Floor Ridge
6.	PB147	LH Back Stake
*	PB148	RH Back Stake
7.	ST49	Side Stake
8.	ST50	LH Front Stake
*	ST51	RH Front Stake
9.	S186	Inside Shelf Angle RH
10.	S190	Front Side Piece RH
11.	PB149	Top Door Angle
12.	PB150	Front Door Bottom Steel
13.	PB151	Front Door Top Steel
14.	S189	Front Side Piece LH
15.	PB29	Hose Holder •
16.	JB105	Hose Coupling Holder •
17.	S185	Inside Shelf Angle LH
18.	S192	Handle Nut
19.	S193	RH Hinge Top Piece •
20.	S194	RH Hinge Bottom Piece •
21.	S195	RH Side Piece
22.	PB152	Tailgate Section Steel
23.	S196	LH Side Piece
24.	S199	LH Hinge Top Piece •
25.	S198	LH Hinge Bottom Piece •
26.	S191	Brace
27.	PB153	Slant Panel
28.	PB154	Rubber Seal
29.	PB155	Seal Strap
30.	PB156	Rear Stringer Spacer
31.	PB157	Front Stringer Spacer
32.	PB159	Steel Floor Support
33.	S414	Cap
34.	S415	Manual Holder Tube
35.	S418	Cap W/Hole
36.	S426	Manual Hanger Clamp

**NOTE:** \* (Means Not Shown)

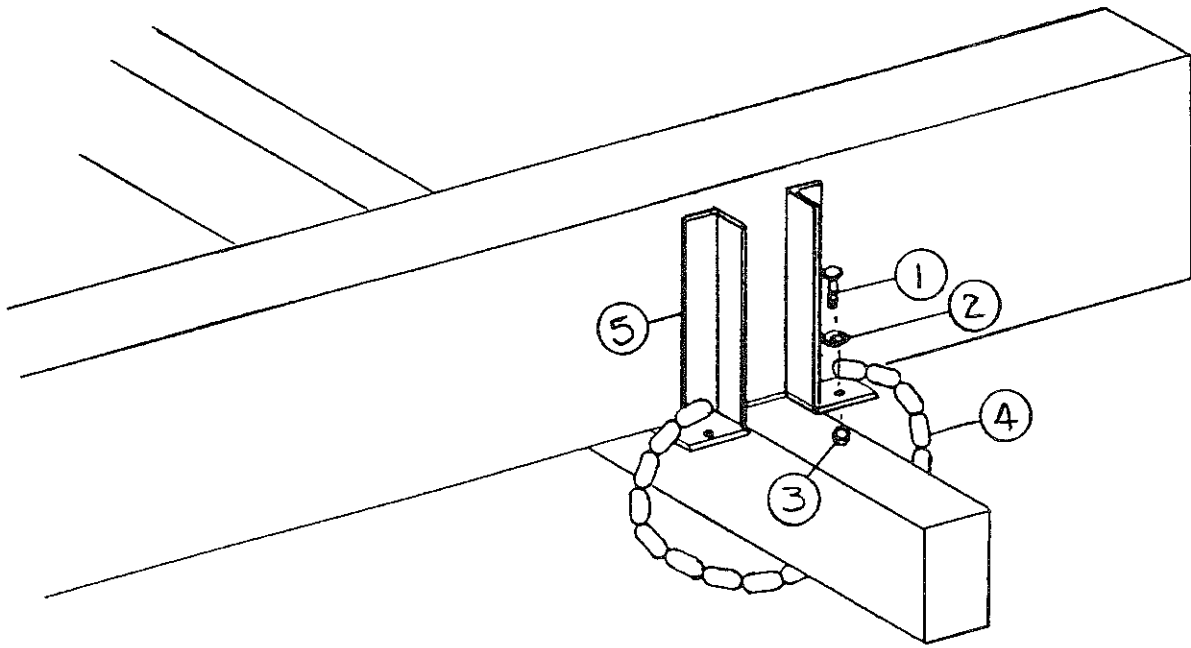
• (Indicates Use on Chassis or Running Gear Models Only)

FIGURE 4



**FIGURE 4**  
**CHASSIS MOUNT FRAME**

<b>ITEM</b>	<b>PART NO.</b>	<b>DESCRIPTION</b>
1.	FBC1	Main Frame
2.	50N151	LH Tandem Beam
3.	50N152	RH Tandem Beam
4.	50N153	Tandem Pin
5.	RG174	Bolt 5/8" x 5" GR.5
6.	RG8	5/8" Flat Washer
7.	T69	5/8" Lock Washer
8.	T68	5/8" Nut
9.	60N1	Spindle
10.	60N2	Spindle Washer
11.	60N3	Spindle Nut
12.	60N4	Cotter Pin
13.	60N5	Seal
14.	60N7	Inner Bearing
15.	60N6	Inner Race
16.	60N8	Hub
17.	60N10	Outer Race
18.	60N9	Outer Bearing
19.	60N11	Hub Cap
20.	60N12	Hub Cap Bolt
21.	60N13	Stud
22.	60N14	Stud Nut
23.	RG59	Spacer
24.	60N15	Wheel (22.5 x 13.5, 10 Bolt)
25.	60N16	Wheel (16.1 x 18, 10 Bolt)
26.	16SV88	Tire (425 x 22.5, Truck)
27.	50N7	Tire (21.51 x 16.1, Flotation)
28.	50N8	Tandem Pin Bushing



**FIGURE 5  
TIE DOWN KIT - RUNNING GEAR MOUNT**

<b>ITEM</b>	<b>PART NO.</b>	<b>DESCRIPTION</b>
1.	12V45	1/2" x 1-1/2" GR.5 Bolt
2.	K68	1/2" Flat Washer
3.	R11	1/2" Top Lock Nut GR.5
4.	S322	1/4" Chain 30-1/4" Long
5.	S323	Tie Down Bracket
6.	T9B	Tie Down Kit - Complete



## H&S "WIDE BODY" REAR UNLOAD POWER BOX

Your new H&S "Wide Body" Power Box has been manufactured of the finest quality materials and components. The performance you get from your machine is largely dependent upon how well you read and understand this manual and apply this knowledge. There is a right and a wrong way to do everything. Please do not assume that you know how to operate and maintain your Power Box before reading this manual carefully. Keep this manual available for ready reference.

### "WIDE BODY" POWER BOX SPECIFICATIONS

Length .....	18' - 20' - 22'
Overall Width .....	102"
Inside Width .....	96"
Inside Height .....	73"
Overall Side Height w/5" Stringers .....	89"
Overall Height - Tailgate .....	104"
Number of Side Stakes (per side) .....	18' (9) - 20' (11) - 22' (13)
Apron Chain .....	18' - 20' (T-Rod) - 22' (667XH-Pintle)
Poly Floor .....	Standard
Rear Drive Shaft .....	1-3/4"
Hydraulic Capacity Needed .....	30 Gal. Per Min., 2500 lbs. Pressure

#### Warranty

- 1st Year-Parts & Limited Labor
- 2nd Year - Parts

#### NOTE

Determine right or left side of unit by viewing it from the rear. If instructions or parts lists call for hardened bolts, they are identified with three lines or marks on the head.

## H&S MANUFACTURING CO. INC.

2608 S. Hume Ave.  
P.O. Box 768 - Telephone (715) 387-3414  
FAX (715) 384-5463  
MARSHFIELD, WI 54449



H&S WAREHOUSE Rt. #5 and 76  
P.O. Box 1260 - Telephone (716) 736-7595  
FAX (716) 736-7596  
RIPLEY, NY 14775

# **H&S MFG. CO.**

products approved

for the

## **FEMA**

# **SEAL OF QUALITY**

